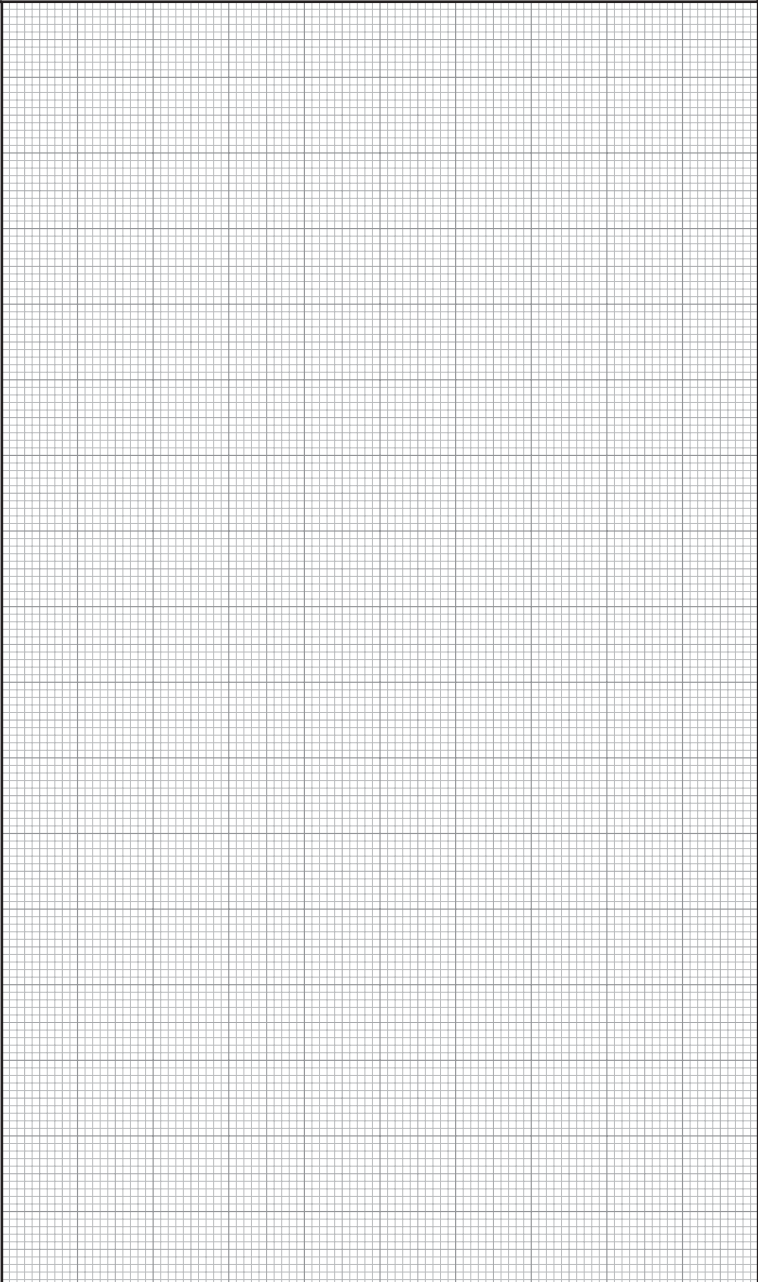
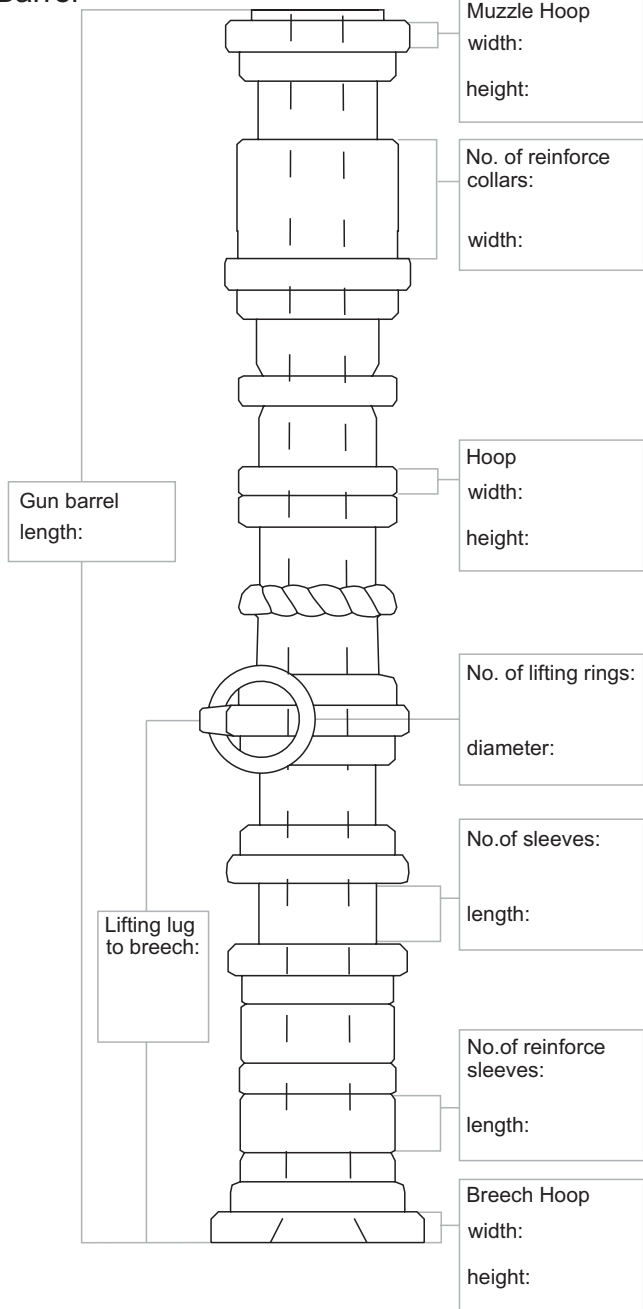
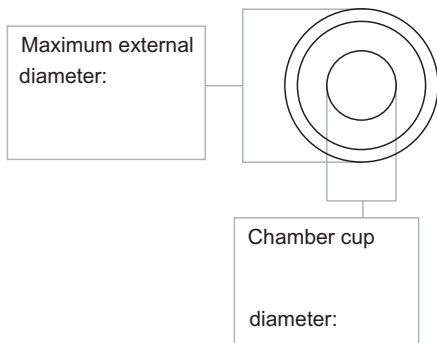


SITE CODE	SITE SUB-DIV.	DRAWING No.
SCALE	DRAWN BY	DATE

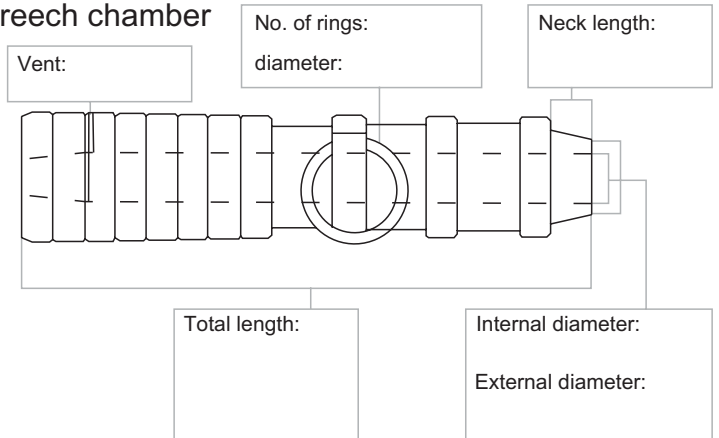
Barrel



View from breech



Breech chamber



No. of hoops:

No. of bands: