

Project Name:

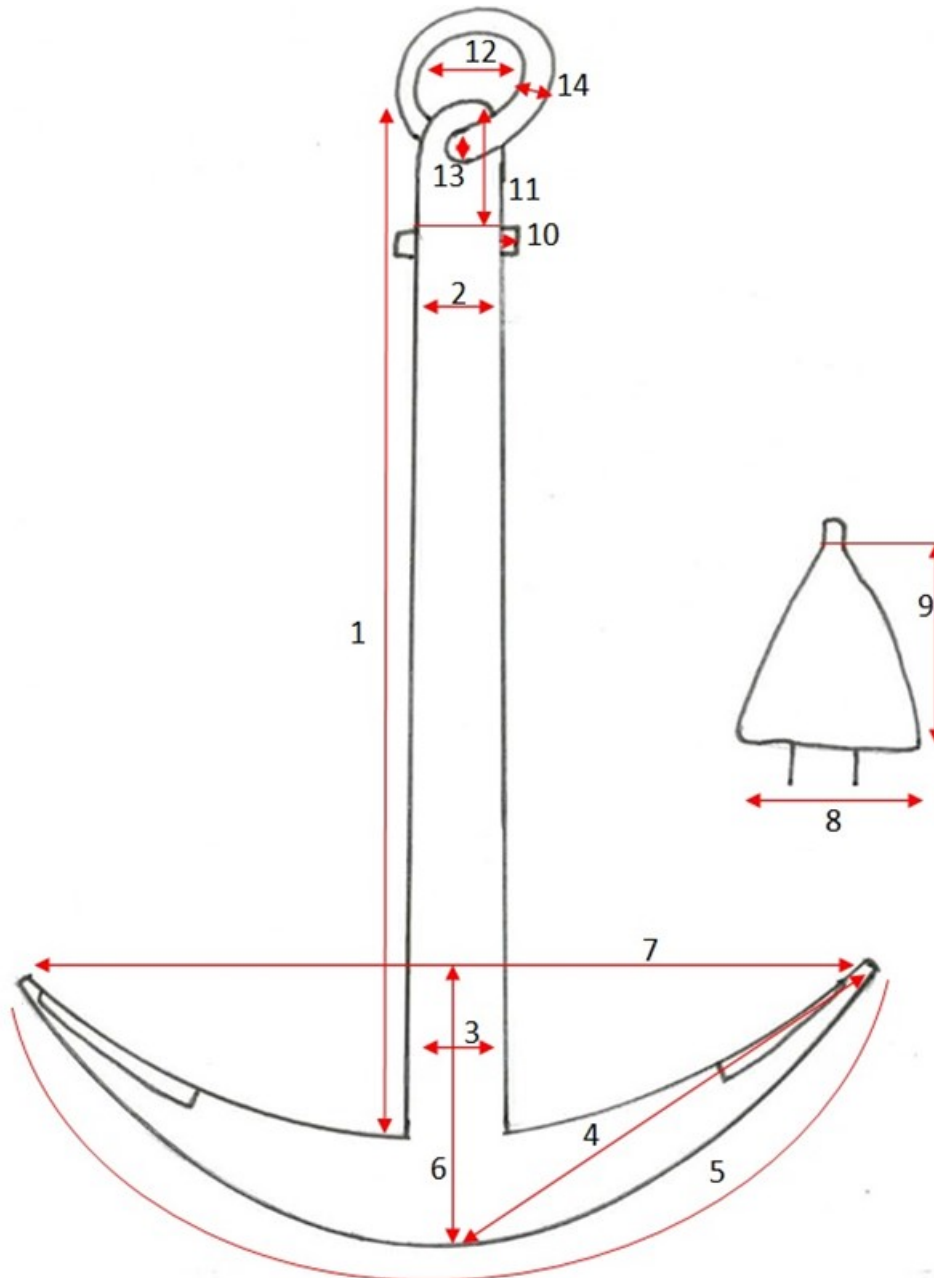
Site Prefix:

### ANCHOR RECORDING FORM

#### Contextual Information and Recording

Anchor Number		Orientation		Position (both ends of shank)	
Date		Recorded by		Checked by	
Type of anchor					
Area / Trench		Recorded in dives		In situ or Raised	
Context					

#### Characteristics



Dimensions					
1	Length of shank		8	Width of fluke	
2	Diameter of top shank		9	Length of fluke	
3	Diameter of bottom of shank		10	Height of key	
4	Length of one arm		11	Distance of key	
5	Amplitude of arms		12	Diameter of ring	
6	Height of bills		13	Diameter of eye ring	
7	Distance between bills		14	Thickness of ring	

**Characteristics**

Stock	Y / N	Ring	Y / N
Shackle	Y / N	Number of Arms	
Stock Key		Shape of Flukes	
Stock Type		Crown	
Shank Form		Arms	
Photo Numbers		Drawing Numbers	
		Video Numbers	

**Sketch**